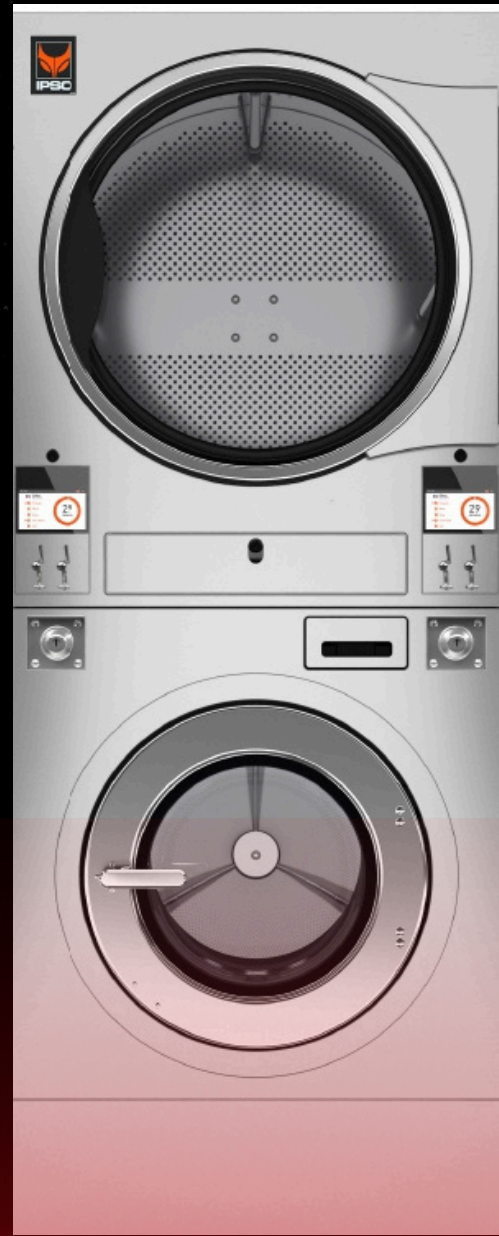




YOUR SMART  
LAUNDRY  
PARTNER





BC20 | BC30 | BC40 | BC60

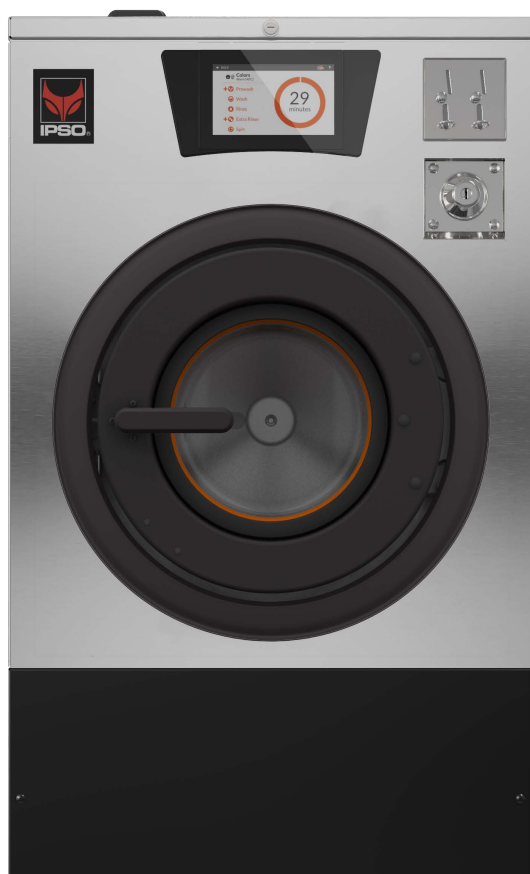
# Hardmount Washer-Extractor

## FEATURES

- Rigid mounted, medium spin, 200G factor
- Stainless steel top and front panel Stainless steel drum and tub
- High capacity water inlets
- Large drain valve
- Large door opening for easy loading & unloading
- Industry-leading flexible water level settings
- Patented Fill and Drain leak detection saves water
- Lighter, computer-optimized frame Designed to reduce sound and vibration levels

## CONTROLS OPTIONS

- Available with EVOLIS Touch for Vend. 7", full color touch screen display with swipe function: very intuitive for users User-friendly screen with operating
- Instructions built in as part of the control Complete control content available in 34 languages
- Wireless communication enabling programming & firmware updates through cloud
- Automated service reminders remind users to maintenance tasks
- IPSO Connect: interactive dashboard offers operational performance info on mobile device
- 15 easy-to-use washer cycle modifier



Robust Design



Large Drain Valve



Large Door Opening

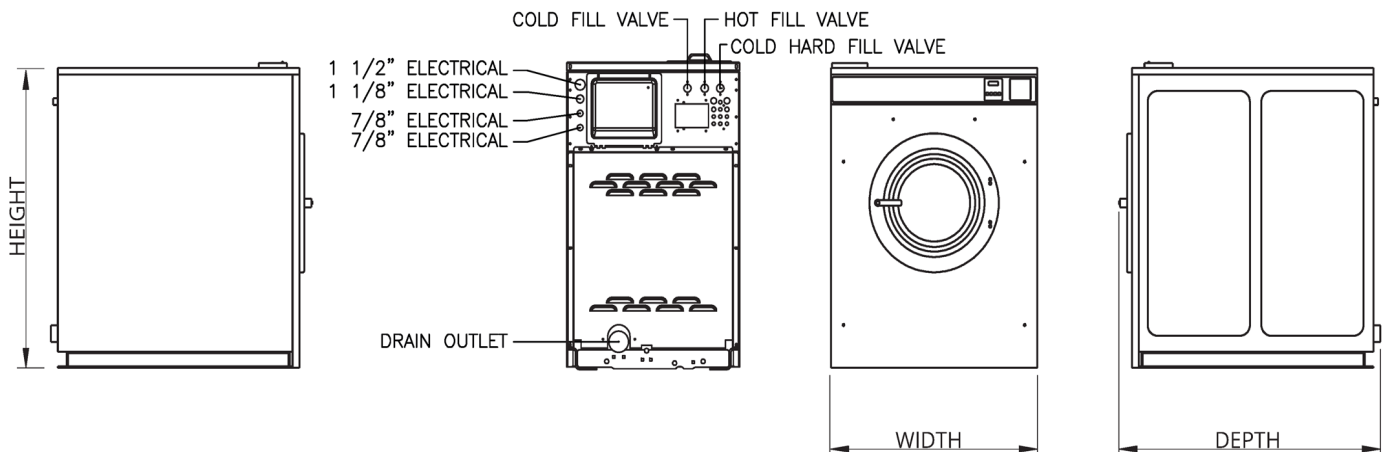


Low Water Consumption

		BC20	BC30	BC40	BC60
Control Option		EVOLIS Touch	EVOLIS Touch	EVOLIS Touch	EVOLIS Touch
Capacity	kg (lb)	9.1 (20)	13.1 (30)	18.1 (40)	27.2 (60)
Overall Width	mm (in)	660 (26)	737 (29)	778 (30.6)	865 (34.1)
Overall Depth	mm (in)	784 (30.9)	896 (35.3)	1073 (42.3)	1135 (44.7)
Overall Height	mm (in)	1092 (43)	1143 (45)	1199 (47.2)	1267 (49.9)
Cylinder Diameter	mm (in)	533 (21)	610 (24)	668 (26.3)	762 (30)
Cylinder Depth	mm (in)	350 (13.8)	406 (16)	515 (20.3)	559 (22)
Cylinder Volume	l (cu. ft.)	79.3 (2.8)	119 (4.2)	178 (6.3)	255 (9.0)
Door Opening Size	mm (in)	295 (11.6)	363 (14.3)	414 (16.3)	414 (16.3)
Door Bottom to Floor	mm (in)	365 (14.4)	356 (14)	370 (14.6)	379 (14.9)
Water Inlet Connection	mm (in)	2 @ 19 (0,75)	2 @ 19 (0,75)	2 @ 19 (0,75)	4 @ 19 (0,75)
Drain Diameter	mm (in)	1 @ 76 (3)	1 @ 76 (3)	1 @ 76 (3)	1 @ 76 (3)
Drain Height to Floor	mm (in)	99 (3,9)	109 (4,3)	114 (4,5)	124 (4,9)
Total #of Speeds		9	9	9	9
CYLINDER SPEEDS	[RPM (G-FORCE)] Ultra High	819(200)	766(200)	733(200)	686(200)
VOLTAGE WIRES/ CIRCUIT BREAKER					
FLA120/60/1		15.IX	N/A	20 – 15	N/A
200-208/220-240/50/60/3/1/3		15 – 4 (1 Ph) 15 – 3 (3 Ph)	15 – 7 (1 Ph) 15 – 4 (3 Ph)	15 – 7 (1 Ph) 15 – 4 (3 Ph)	15 – 11 (1 Ph) 15 – 7 (3 Ph)
200-208/220- 240/50/60/3/3		30 – 22	30-22	50 – 41	50 – 41
440-480/50/60/3/3		15 – 2	15 – 3	15 – 3	15 – 4
380-415/50/60/3/3		15 – 4	15 – 4	15 – 5	15 – 6
SHIPPING DIMENSIONS					
AP-PROX.	mm (in)				
Width	mm (in)	711 (28)	800 (31.5)	826 (32.5)	953 (37.5)
Depth	mm (in)	859 (33.8)	937 (38.3)	1105 (43.5)	1191 (46.9)
Height	mm (in)	1255 (49.4)	1303 (51.3)	1361 (53.6)	1430 (56.3)
Motor Power Consumption	[kW (HP)]	0.75 (1)	0.75 (1)	1.5 (2)	2.2 (3)
Net Weight	kg (lb)	154 (340)	200 (440)	245 (540)	308 (680)
Shipping Weight	kg (lb)	172 (380)	218 (480)	263 (580)	327 (720)
Slat Crate Shipping Weight	kg (lb)	209 (460)	263 (580)	308 (680)	381 (840)
Agency Approvals		CSA/UL/IEC/KTL	CSA/UL/IEC/KTLL	CSA/UL/IEC/KTL	CSA/UL/IEC/KTL

	Height	Width	Depth
BC20	1092	660	784
BC30	1143	737	896
BC40	1199	778	1073
BC60	1267	866	1135

All measurements in mm.





# STACKED WASHER EXTRACTOR/ TUMBLE DRYER

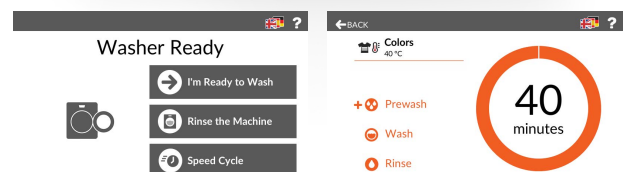
**BSG30**    **BSG50**  
2×30 lb (13 kg)    2×50 lb (25 kg)

## FEATURES

- Ideal for limited space settings
- Increases wash capacity
- Improves throughput
- Minimal front fasteners give quick access to key washer-extractor components to improve serviceability
- Supports a higher volume than typical retail and light commercial products are able to support
- More than double production with higher capacity and faster wash times
- Reliability and durability that drastically outperforms retail or light commercial options
- IPSO stacked washer-extractor/tumble dryer is a unique product that truly delivers increased productivity. Featuring the Evolis Touch Control.

## EVOLIS CONTROL

- Available with EVOLIS touch control for Vend.
- 7", full color touch screen display with swipe function: very intuitive for users
- User-friendly screen with operating instructions built in as part of the control
- Complete control content available in 34 languages
- Wireless communication enabling programming & firmware updates through cloud
- Automated service reminders remind users to maintenance tasks
- Warranty IPSO Connect: interactive dashboard offers operational performance info on mobile device



EVOLIS Touch Control

IPSO is a division of Alliance Laundry Systems. Based in Ripon, Wis., USA and Wevelgem Belgium, Alliance is the world's leading manufacturer of commercial laundry equipment. Learn more at [alliancelaudry.com](http://alliancelaudry.com)

## STACKED WASHER EXTRACTOR/TUMBLE DRYER

Specifications	BSG30		BSG50			
	Washer-Extractor	Tumble Dryer	Washer-Extractor	Tumble Dryer		
Control Option	EVOLIS Touch		EVOLIS Touch			
Capacity - lb (kg)	30 (13) x 2		50 (25) x 2			
Overall Width - in (mm)	31.4 (797)		34.4 (875)			
Overall Depth - in (mm)	45.5 (1152)		51.3 (1302)			
Overall Height - in (mm)	79.7 (2023)		84.3 (2141)			
Cylinder Diameter - in (mm)	24.0 (610)	30.0 (762)	26.3 (668)	33.0 (838)		
Cylinder Depth - in (mm)	16.0 (406)	26.0 (660)	20.3 (515)	30.0 (762)		
Cylinder Volume - cu. ft (liters)	4.2 (119)	10.6 (300)	6.3 (178)	14.8 (419)		
Reversing Cylinder	-	Standard	-	Standard		
Door Opening Size - in (mm)	14.3 (363)	22.6 (574)	16.3 (414)	26.9 (683)		
Door Bottom to Floor - in (mm)	14.0 (356)	51.3 (1303)	14.6 (370)	52.3 (1328)		
Water Inlet Connection - in (mm)	2 x 0.75 (19)	-	2 x 0.75 (19)	-		
Drain Diameter - in (mm)	1 x 3 (76)	-	1 x 3 (76)	-		
Drain Height to Floor - in (mm)	4.3 (108)	-	4.5 (115)	-		
Heat Input Power - Btu/hr (kW, Mj/hr.)	-	73,000 (21.4, 77.0)	-	95,000 (27.8, 100)		
Gas Connection - in	-	1/2 NPT	-	1/2 NPT		
Air Outlet - in (mm)	-	8.0 (200) Elliptical	-	10.0 (250) Elliptical		
Airflow - cfm (l/sec)	-	400 (190)	-	600 (285)		
Motor - HP (kW)	Fan	-	0.5 (0.4)	-		
	Drive	1 (0.75)	0.3 (0.2)	2 (1.5)		
Total # of Speeds	6	-	6	-		
Cylinder Speeds - RPM (G-Force)	Gentle	34 (0.4)	-	33 (0.4)	-	
	Wash	48 (0.8)	-	46 (0.8)	-	
	Distribution	86 (2.5)	-	82 (2.5)	-	
	Very Low	282 (27)	-	269 (27)	-	
	Low	485 (80)	-	464 (80)	-	
	Medium	542 (100)	-	518 (100)	-	
Electrical Specs - amps	Gas	200-240V/50/60/1/3	15	10	15	10
	X					
Shipping Dimensions Approx. - in (mm)	Width	34.5 (876)			35.5 (902)	
	Depth	47.0 (1194)			54.0 (1372)	
	Height	83.0 (2108)			89.0 (2261)	
Net Weight - lb (kg)	770 (349)		910 (413)			
Shipping Weight - lb (kg)	787 (357)		930 (422)			
Agency Approvals	CSA/UL/IEC/KTL/KGS		CSA/UL/IEC/KTL/KGS			



# STAPELBARE WASDROGERS

DR335  
2 X 15 KG

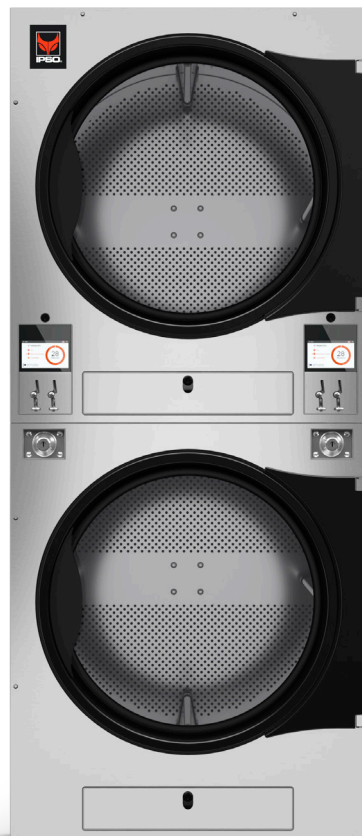
DR445  
2 X 21 KG

## KENMERKEN EN VOORDELEN

- Dubbele capaciteit op dezelfde oppervlakte
- Roestvrijstalen trommel
- Roestvrijstalen voorpaneel met zwart geschilderde deur
- Grijs geschilderde zijpanelen
- Gas- en elektrische verwarming (DR335)
- Gasverwarming (DR445)
- Grote deuropening voor gemakkelijk laden en ontladen (DR335 Ø 57cm, DR445 Ø 68cm)
- Zelfreinigende grote stoffilter voor snel verwijderen en efficiënt drogen
- Axiale luchtstroom
  - trommelperforaties enkel vooraan en achteraan in de trommel
  - maximale luchtstroom, minder energieverbruik en kortere droogtijden
- AUTODry mogelijkheid voor OPL
- Tegenovergestelde draairichting: voorkomt verstremgeling van het linnen
- Vochtdetectiesysteem, ECOdry, optioneel voor OPL
- Muntuitvoering
- Optioneel CARE (Combustion Auto Response uitgerust)
  - Voorkomt vroege wasbrand door constant de temperatuur in de trommel
  - Bij te hoge temperatuur wordt het linnen besproeid met water

## BEDIENING

- EVOLIS aanraakscherm voor Vend-toepassingen
- 5" kleurendisplay met swipecfunctie : zeer intuïtief voor gebruikers
- Gebruiksvriendelijk scherm met instructies als onderdeel van de sturing
- Volledige sturing beschikbaar in 34 talen
- Draadloze communicatie laat je toe om te programmeren & firmwares uit te voeren via de cloud
- IPSO Connect : interactief dashboard biedt operationele data op mobiele toestellen



### Touchscreen-bediening voor Vend

Bediening met 7-inch touchscreen met intuïtieve gebruikersinterface voor gebruikers en toegang tot prestatiegegevens via de cloud voor eigenaren. 5 standaard droogprogramma's (Hoog, Medium, Laag, Delicaat, geen hitte) & 11 gebruiksvriendelijke cyclusmodifiers.



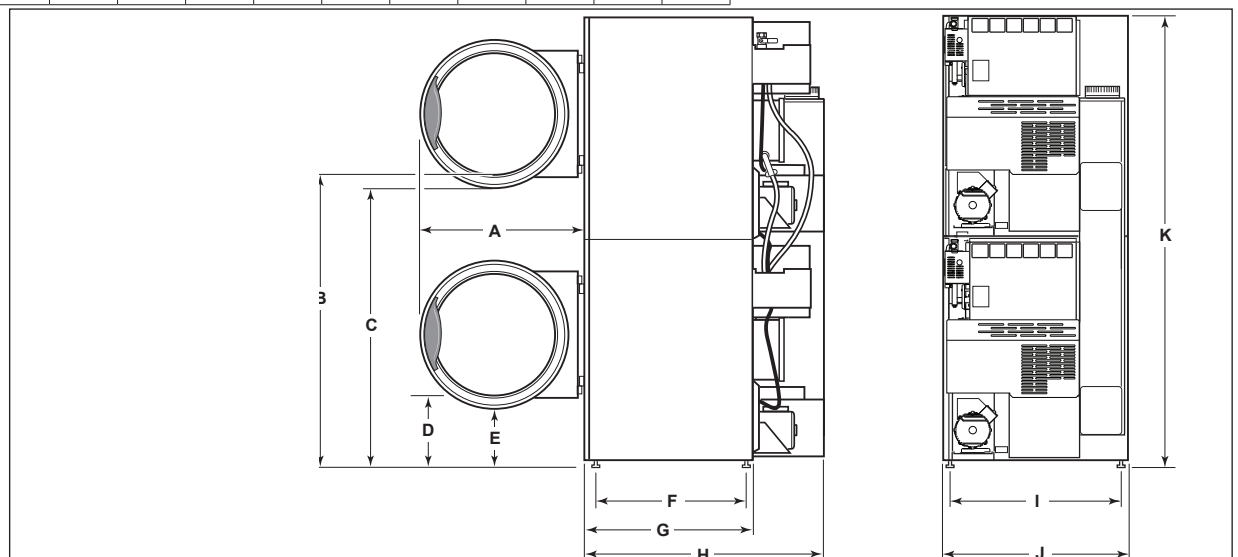
Overdroogpreventietechnologie (OPT) vermindert de droogtijd, energie- en arbeidskosten en verlengt de levensduur voor linnen



- Gemiddeld 40% energiezuiniger
- Optimale efficiëntie
- Ongeveer 5% totale besparing op energiekosten per jaar

	DR335	DR445
CAPACITEIT		
CAPACITEIT 1:18 (KG)	2 x 14	2 x 19
CAPACITEIT 1:22 (KG)	2 x 17	2 x 23
TROMMEL		
VOLUME (L)	300	420
DIAMETER (MM)	762	838
DIEPTE (MM)	660	762
DIAMETER DEUROPENING (MM)	576	683
TEMPERATUUR MIN. (°C)	38	38
TEMPERATUUUR MAX. (°C)	88	88
VERMOGEN MOTOR		
TROMMEL (kW)	0,20	0,40
VENTILATOR (kW)	0,4	0,4
UITLAAT DEBIET (50 Hz) (L/S) Std/Ecodyr	380 / 310	570
DIAMETER (MM) Std/Ecodyr	200 (*) / 150	250
VERMOGEN		
ELEKTRISCHE CONNECTIE - ELEKTRISCHE VERWARMING	1x200-208V/50-60Hz, 3x200-208V/50-60Hz, 1x 230-240V/50-60Hz, 3x 230-240V/50-60Hz, 3x 380V/50-60Hz, 3x400-415V/50-60Hz,3x 440V/50-60Hz, 3x 460-480V/50-60Hz	1x200-208V/50-60Hz, 3x200-208V/50-60Hz, 1x 230-240V/50-60Hz, 3x 230-240V/50-60Hz, 3x 380V/50-60Hz, 3x400-415V/50-60Hz,3x 460-480V/50-60Hz
ELEKTRISCHE VERWARMING (kW) Std/Ecodyr	Standard : 21 Medium : N/A Eco : 12 Low : N/A	-
GASVERWARMING (KW) Std/Ecodyr	Standaard : 2 x 21,4 Eco : 2 x 16,1	Standard : 2 x 27,8 Eco : 2 x 23,4
GASVERWARMING (BTU/h) Std/Ecodyr	73 000 / 55 000	95 000 / 80 000
GASVERWARMING (kcal)	18 408 / 13 869	23956 / 20 173
ENERGIEVERBRUIK (KWH) - ELEKTRICITEIT Std/Ecodyr	8,0 / 7,9	-
ENERGIEVERBRUIK (KWH) - GAS Std/Ecodyr	0,310 / 0,440	0,360 / 0,440
GELUIDSNIVEAU		
GELUIDSNIVEAU (dba)	63	65
TRANSPORTGEGEVENS		
NETTOGEWICHT (KG)	260 (G) - 275 (S) - 300 (E)	320
BRUTOGEWICHT (KG)	330 (G) - 350 (S) - 360 (E)	420
AFMETINGEN VERPAKKING B X D X H (MM)	900 x 1270 x 2210	1020 x 1520 x 2210

	A	B	C	D	E	F	G	H	I	J	K
DR335	710	1245	1225	290	270	635	730	1090	695	800	1940
DR445	810	1280	1250	260	235	735	830	1235	770	875	2065



# NTLWXASP303LN01

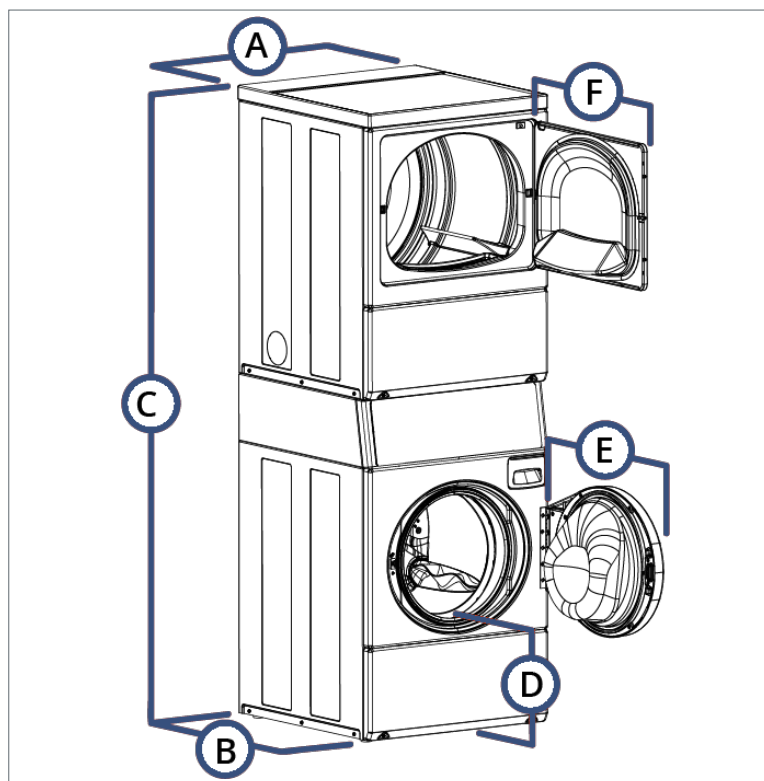
Commercial Stacked Washer Dryer





# DIMENSIONS & SPECIFICATIONS

GENERAL DETAILS		
Control		H7S
Control location		10° Front Control
Heat Source		LP Gas
DRUM		
Capacity	kg	10.5 (W) / 10.5 (D)
Volume	l	W-96,8 / D-198
DRUM SPEED		
Washing extraction	RPM	400 - 1200
Extraction	RPM	1200
POWER		
Moto power kW		
Voltage	Volt/Hz/Ph	220 - 240/50/1
CABINET		
Cylinder finish		Stainless/Galvanised
Color		Stainless
Door type		Window
CONNECTIONS		
Electrical requirements	Volt/Hz/Ph	220 - 240/50/1
Water inlet		3/4"
Water Pressure kPa		1.4 - 8.3
TRANSPORT DATA		
Net weight	kg	118
Shipping weight	kg	122
Dimensions HxWxD	mm	1986x683x795
Packed dimensions HxWxD	mm	2032x762x864
Packed volume	l	1337



DIMENSIONS (mm)	
A	683
B	795
C	1986
D	333
E	597

## MODEL

NTLWXASP303LN01