

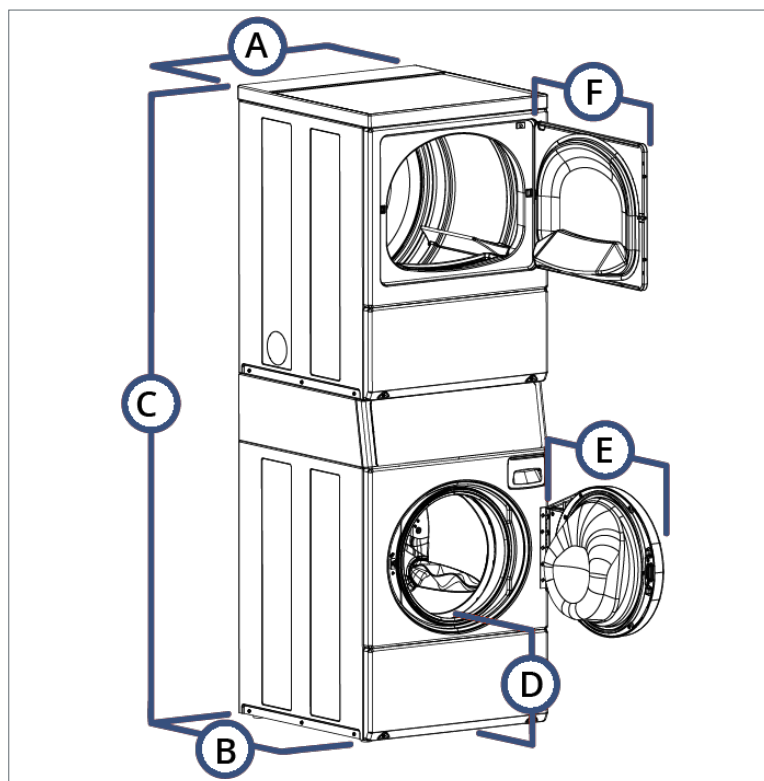
# NTLWXASP303LN01

Commercial Stacked Washer Dryer



# DIMENSIONS & SPECIFICATIONS

GENERAL DETAILS		
Control		H7S
Control location		10° Front Control
Heat Source		LP Gas
DRUM		
Capacity	kg	10.5 (W) / 10.5 (D)
Volume	l	W-96,8 / D-198
DRUM SPEED		
Washing extraction	RPM	400 - 1200
Extraction	RPM	1200
POWER		
Moto power kW		
Voltage	Volt/Hz/Ph	220 - 240/50/1
CABINET		
Cylinder finish		Stainless/Galvanised
Color		Stainless
Door type		Window
CONNECTIONS		
Electrical requirements	Volt/Hz/Ph	220 - 240/50/1
Water inlet		3/4"
Water Pressure kPa		1.4 - 8.3
TRANSPORT DATA		
Net weight	kg	118
Shipping weight	kg	122
Dimensions HxWxD	mm	1986x683x795
Packed dimensions HxWxD	mm	2032x762x864
Packed volume	l	1337



DIMENSIONS (mm)	
A	683
B	795
C	1986
D	333
E	597

## MODEL

NTLWXASP303LN01